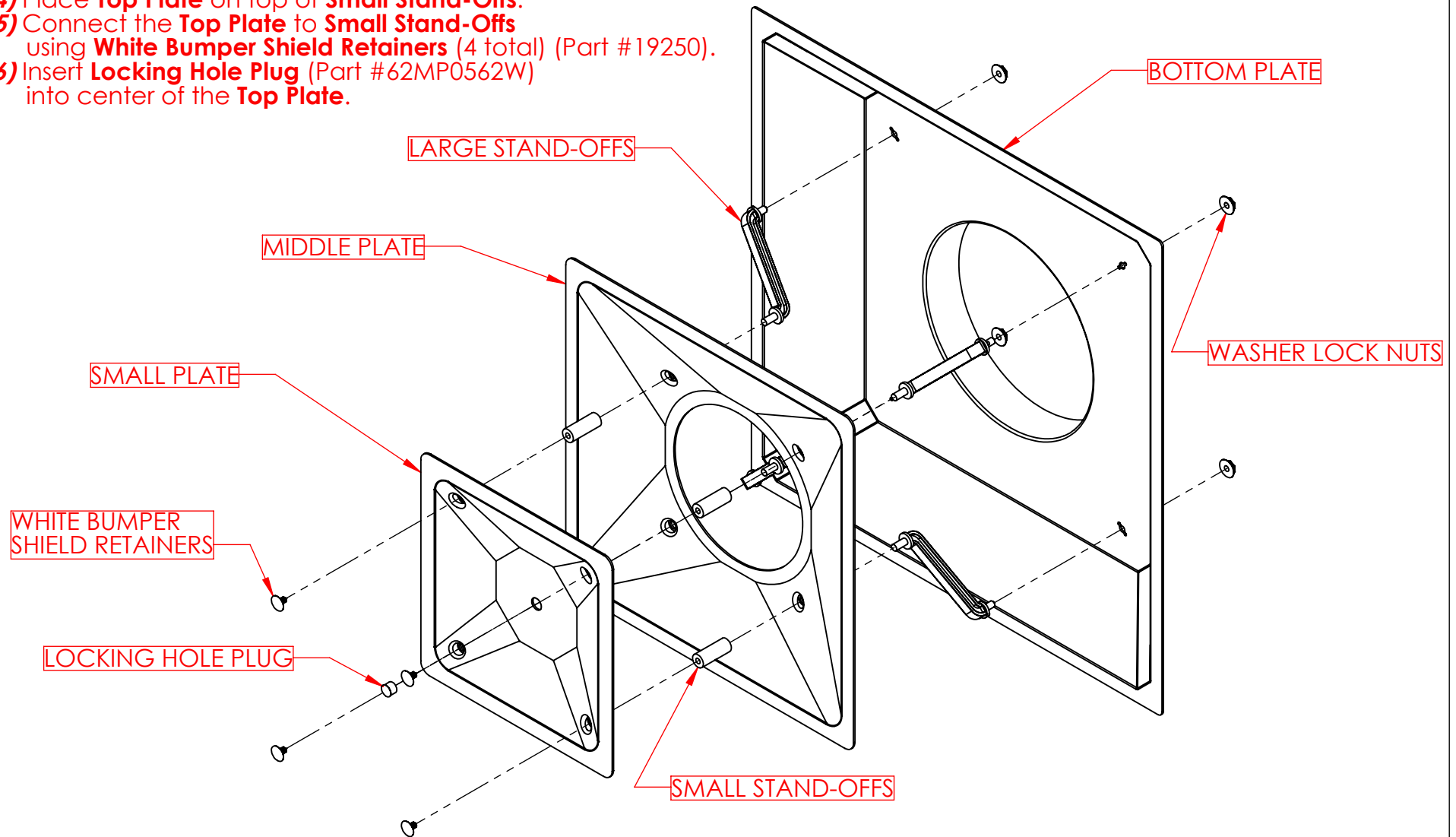


AIR DIFFUSER PROCEDURES

- 1) Install **Large Stand-Offs** (4 total) to **Bottom Plate** using **Washer Lock Nuts** (4 total) (Part # 10764).
- 2) Install **Middle Plate** onto **Large Stand-Offs**.
- 3) Connect **Small Stand-Offs** (4 total) to **Large Stand-Offs** with the **Middle Plate** separating the two.
- 4) Place **Top Plate** on top of **Small Stand-Offs**.
- 5) Connect the **Top Plate** to **Small Stand-Offs** using **White Bumper Shield Retainers** (4 total) (Part #19250).
- 6) Insert **Locking Hole Plug** (Part #62MP0562W) into center of the **Top Plate**.



AIR DIFFUSER ASSEMBLY INSTRUCTION SHEET

DATE: 1/7/2011

SCALE: 1:6

DRAWN BY: E. GREEN